

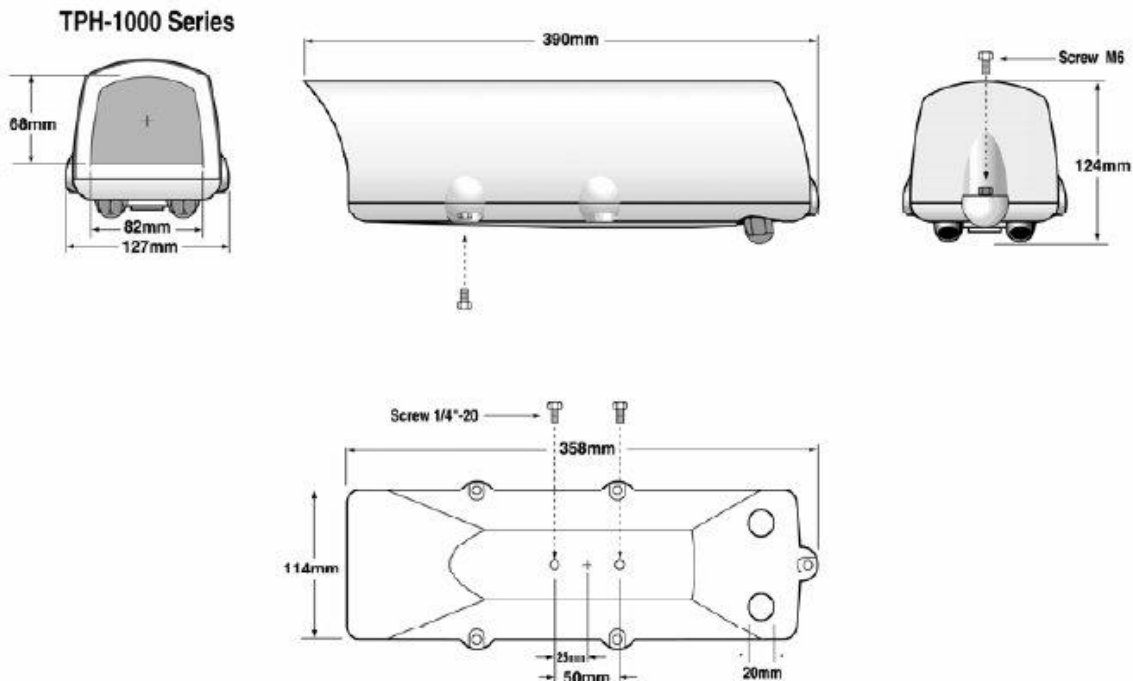


Model	Specification
<p>640000800G TPH1000-080</p> 	<p>Power supply: 90~264VAC input, 12VDC 3A output Certification: CE, IP66</p>
<p>640000900G TPH1000-080/HS</p> 	<p>Power supply: 90~264VAC input, 12VDC 3A output Single heater: Turn on at $18^{\circ}\text{C} \pm 3^{\circ}\text{C}$; Turnoff at $28^{\circ}\text{C} \pm 3^{\circ}\text{C}$ Certification: CE, IP66</p>

Dimensions:

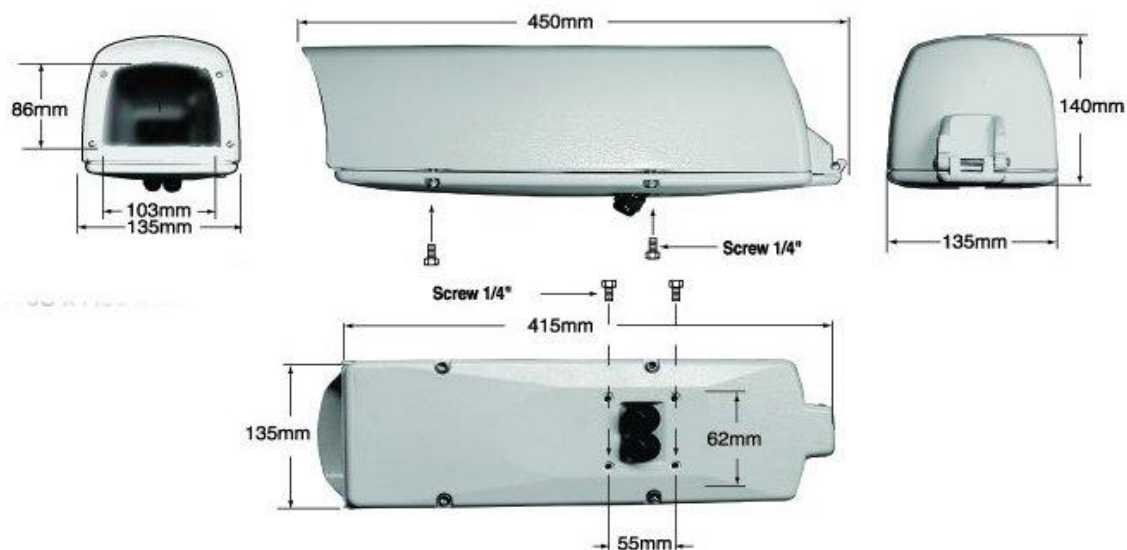


Supported devices

IP2112, IP2122, IP3112, IP3122, IP3132,
IP6112, IP6122

Model	Specification
<p>640001000G TPH5000-080/F</p> 	<p>Power supply: 90~264VAC input, 12VDC 3A output Single blower: Turn on at 35°C±3°C; Turnoff at 25°C±3°C Certification: CE, IP44</p>
<p>640001100G TPH5000-080/HF</p> 	<p>Power supply: 90~264VAC input, 12VDC 3A output Single heater: Turn on at 18°C±3°C; Turnoff at 28°C±3°C Single blower: Turn on at 35°C±3°C; Turnoff at 25°C±3°C Certification: CE, IP44</p>
Weight	4.3Kgs


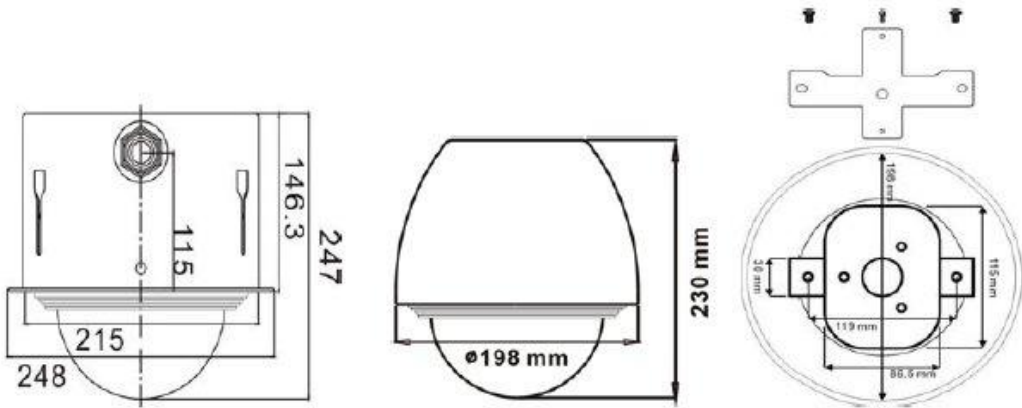
Dimensions:



Supported devices

IP3111, IP3121, IP2111, IP2121, IP2112, IP2122
IP3112, IP3122, IP3132, IP6112, IP6122, IP7138,
IP7151

**All specifications and prices are subject to change without notice. All other trademarks are registered of their respective*

Model	Specification
<p>900002301G VT-26HGB-T</p> <p>900002311G VT-26HGB-S</p> 	<ol style="list-style-type: none"> 1. Indoor Dome enclosure 2. Made of aluminum material 3. Strengthen Acrylic cover 4. Model definition: VT-26HGB-X1 <p>X1 means the color of cover</p> <p>T: transparent cover</p> <p>S: smoked cover</p>
<p>Weight</p>	<p>Net Weight: 1950g</p> <p>Gross Weight: 2600g</p>
<p>Dimensions:</p> <p>Packing:</p> <p>Inner Box (Housing & cover) : W260 x L265 x H270 (mm)</p> <p>Outer Packing Carton: W560 x L540 x H555 (mm)</p> 	
<p>Supported Devices</p>	<p>PT3112, PT3122, PZ6112, PZ6122, PT7135</p>

Model	Specification
900000701G VT-16WGB-T-US	1. Outdoor Dome enclosure
	2. 12VDC/2.5A or 12VDC/3A or 12VDC/3.3A
	3. Housing color: white
900000801G VT-16WGB-S-US	4. Diameter: ϕ 200 mm
	5. Material: Aluminum Alloy, strengthen Acrylic cover
900000711G VT-16WGB-T-EU	6. Operating Temperature: -20°C to 50°C
	7. Single heater: Turn on at 0°C (+/- 5°C); Turn off at 10°C (+/- 5°C)
900000811G VT-16WGB-S-EU	8. Single blower: Turn on at 40°C (+/- 5°C); Turn off at 30°C (+/- 5°C)
	9. Humidity: 0 to 95% RH
	10. Certification: IP66
	11. Model Definition: VT-16WGB-<u>X1</u>-<u>X2X3</u>
	a. <u>X1</u> means the color of cover T means transparent cover S means smoked cover
	b. <u>X2X3</u> means power plug EU means European plug + UK Plug US means US plug
Weight	Net Weight: 4,200g Gross Weight: 5,900g

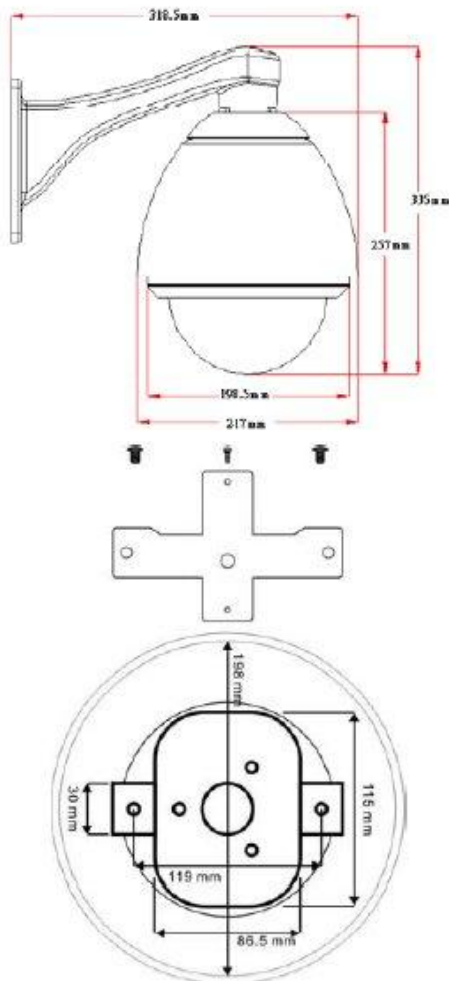
Dimensions:

Packing:

OUTER PACKING BOX: 280 x 430 x 370 (mm)

Each Outer Box contains:

1. Housing x 1
2. Cover x 1
3. Wall mount tube x 1
4. Switching power pack x1
5. Accessory pack x1



Supported Devices

PT3112, PT3122, PZ6112, PZ6122, PT7135